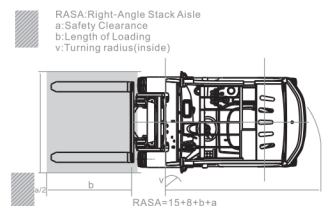
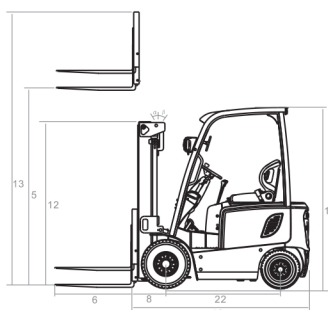
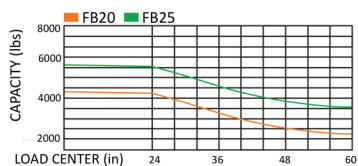


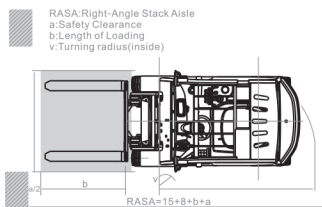
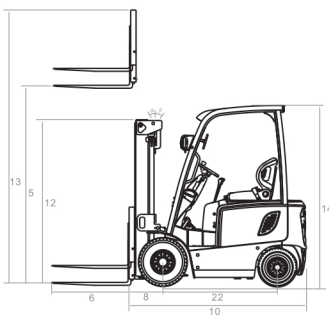
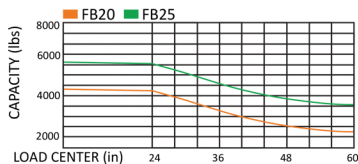
FB-20 ELECTRIC FORKLIFT



4-WHEEL ELECTRIC FORKLIFT 2.0-2.5 TON

General	1	Model		FB20	
	2	Power Type		Electric	
3	Rated Capacity	lbs	4,409		
4	Load Centre	in	24		
Characteristic&Dimension	5	Lift Height		in 118.1	
	6	Fork Size	L×W×T	in 42.1x4.8x1.6	
	7	Mast Tilt Angle	F/R	Deg 6°/12°	
	8	Front Overhang (Wheel center to fork face)		in 16.6	
	9	Tread	F/R	in 35.1/36.3	
	10	Ground Clearance (Bottom of mast)		in 4.6	
	11	Fork Spread	Min. / Max.	in 9.5/38.2	
	12	Overall Dimension	Length to face of fork(Without fork)		in 84.7
	13		Overall Width		in 43
	14		Mast Lowered Height		in 81.5
15	Mast Extended Height(With backrest)		in 159		
16	Overhead Guard Height		in 88.1		
17	Turning Radius (outside)		in 76.8		
18	Min. insecting aisle		in 80.8		
Performance	19	Speed	Travel (Empty load)	mph 9.3	
	20		Lifting(Full load)	in/s 11.8	
	21	Max.Gradeability		% 15	
Chassis	22	Tire	Front	7.00-12-12 PR	
	23		Rear	18x7-8-14 PR	
	24	Wheelbase	r	in 59.4	
	25	Service weight		lbs 9193.3	
Power& Transmission	26	Motor	Drive Motor	kw 11	
	27		Lift Motor	kw 8.6	
	28	Battery	Voltage/Capacity	V/Ah 48/400	
	29	Controller	Manufacturer		CURTIS
	30		Type		AC
	31	Operating Pressure for Attachment		psi 2538.2	

FB-25 ELECTRIC FORKLIFT



4-WHEEL ELECTRIC FORKLIFT 2.0-2.5 TON

General		Model		FB25
1				
2		Power Type		Electric
3		Rated Capacity	lbs	5.511
4		Load Centre	in	24
Characteristic&Dimension				
5		Lift Height	in	118.1
6	Fork Size	L×W×T	in	42.1x4.8x1.6
7	Mast Tilt Angle	F/R	Deg	6°/12°
8	Front Overhang (Wheel center to fork face)		in	16.6
9	Tread	F/R	in	35.1/36.3
10	Ground Clearance (Bottom of mast)		in	4.6
11	Fork Spread	Min. / Max.	in	9.5/38.2
12	Overall Dimension	Length to face of fork(Without fork)	in	84.7
13		Overall Width	in	43
14		Mast Lowered Height	in	81.5
15		Mast Extended Height(With backrest)	in	159
16	Overhead Guard Height		in	88.1
17	Turning Radius (outside)		in	76.8
18	Min. insecting aisle		in	80.8
Performance				
19	Speed	Travel (Empty load)	mph	9.3
20		Lifting(Full load)	in/s	10.6
21	Max. Gradeability		%	15
Chassis				
22	Tire	Front		7.00-12-12 PR
23		Rear		18x7-8-14 PR
24	Wheelbase		r in	59.4
25	Service weight		lbs	9193.3
Power & Transmission				
26	Motor	Drive Motor	kw	11
27		Lift Motor	kw	8.6
28	Battery	Voltage/Capacity	V/Ah	48/630
29	Controller	Manufacturer		CURTIS
30		Type		AC
31	Operating Pressure for Attachment		psi	2538.2